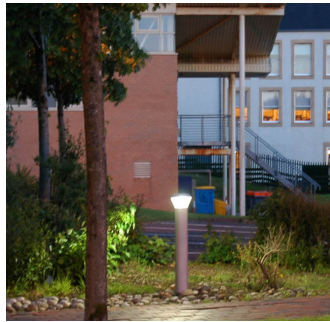




LED Bollard

External lighting



LED Bollard offered in various heights, with internal motion sensor options. Suitable for paths, gardens or plaza areas.

Construction: Cast Aluminium Head, IP66, IK10. Extruded Aluminium Shaft.
1m high as standard. Other heights, up to 2.3m, or rooted version on request.

Lens: Clear Polycarbonate Lens.

Installation: Flanged as standard.

Finish: Grey (RAL 9006) as standard. Other colours on request.

LED: 4-16 LED. Neutral white 4000K as standard, 3000K or other CRI on request. Symmetric or asymmetric options. L80 B10 >100,000 hours @ 25°C.

LED Driver:
220-240V 50/60 Hz

Operating temperatures: -20 to 40°C.

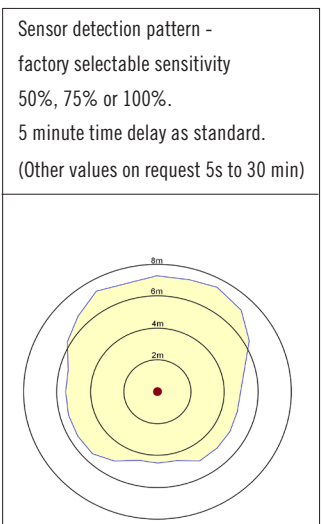
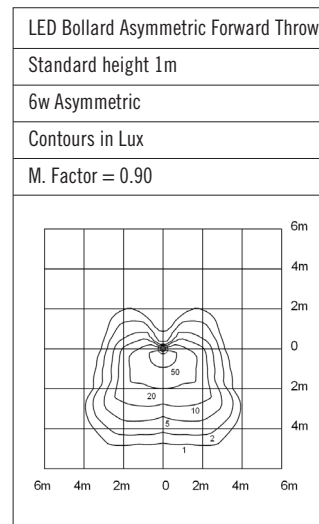
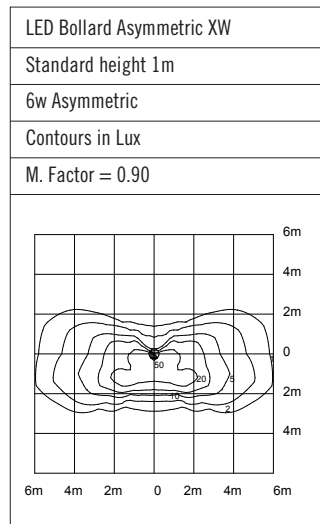
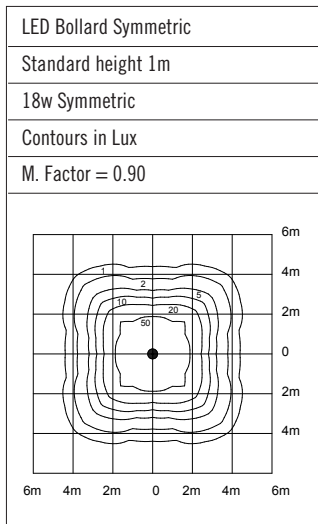
Options: Internal Sensor Control, Emergency, dimmable (1-10V), Hi-Low*, DALI, Rooted/Flanged, Symmetric/Asymmetric, Different Heights.

* Hi-Low: Occupancy sensor triggers full power light for preset delay time, then switches to low power mode (10% 20%, 30% or 50% factory selectable). 5 minute time delay as standard. Other values on request - 5 seconds to 30 minutes.

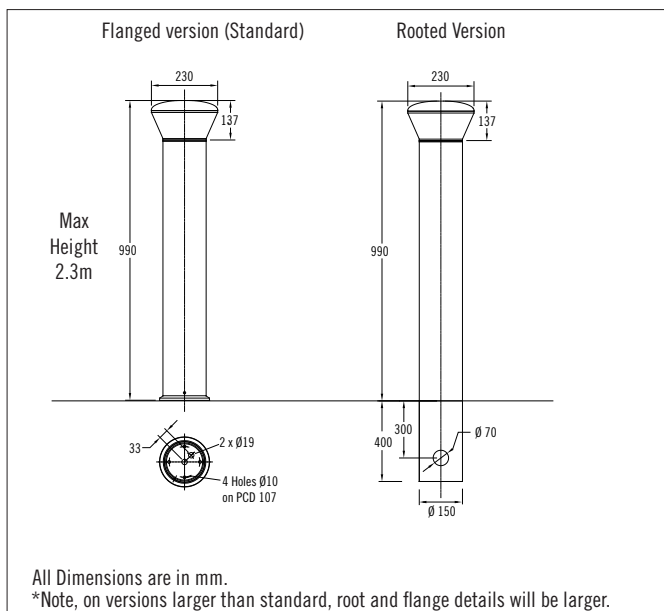
Manufactured: Ireland.

Product Compliance: EN 60598, CE.

APPLICATION GUIDE



DIMENSIONS



ORDERING CODE

Wattage	Lamp	Symmetric	Asymmetric	Details	Lumens
6w	4 LED	-	5BLE00305	1m high, flanged, asymmetric XW, 350mA driver.	498
6w	4 LED	-	5BLE00306	1m high, flanged, asymmetric forward throw, 350mA driver.	539
10w	4 LED	-	5BLE00310	1m high, flanged, asymmetric XW, 700mA driver.	935
10w	4 LED	-	5BLE00311	1m high, flanged, asymmetric forward throw, 700mA driver.	1012
18w	16 LED	5BLE00315	-	1m high, flanged, symmetric, clear lens, 350mA driver.	1897
36w	16LED	5BLE00335	-	1m high, flanged, symmetric, clear lens, 700mA driver.	3562

OPTIONS

RAL: Pls specify
HGT: Pls specify Height
RTD: Rooted Version
SEN: Motion Sensor
DIFF: Diffused Lens
DALI: Dali
HL: Hi/Low
EM: Emergency

*Note, this bollard was significantly revised in 2019 and again in 2020 and differs from earlier versions supplied. If you need to match to the older LED bollards - Please contact us for further details.